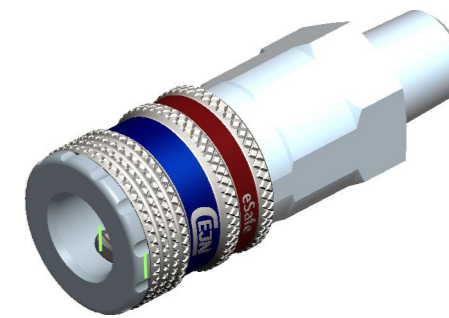
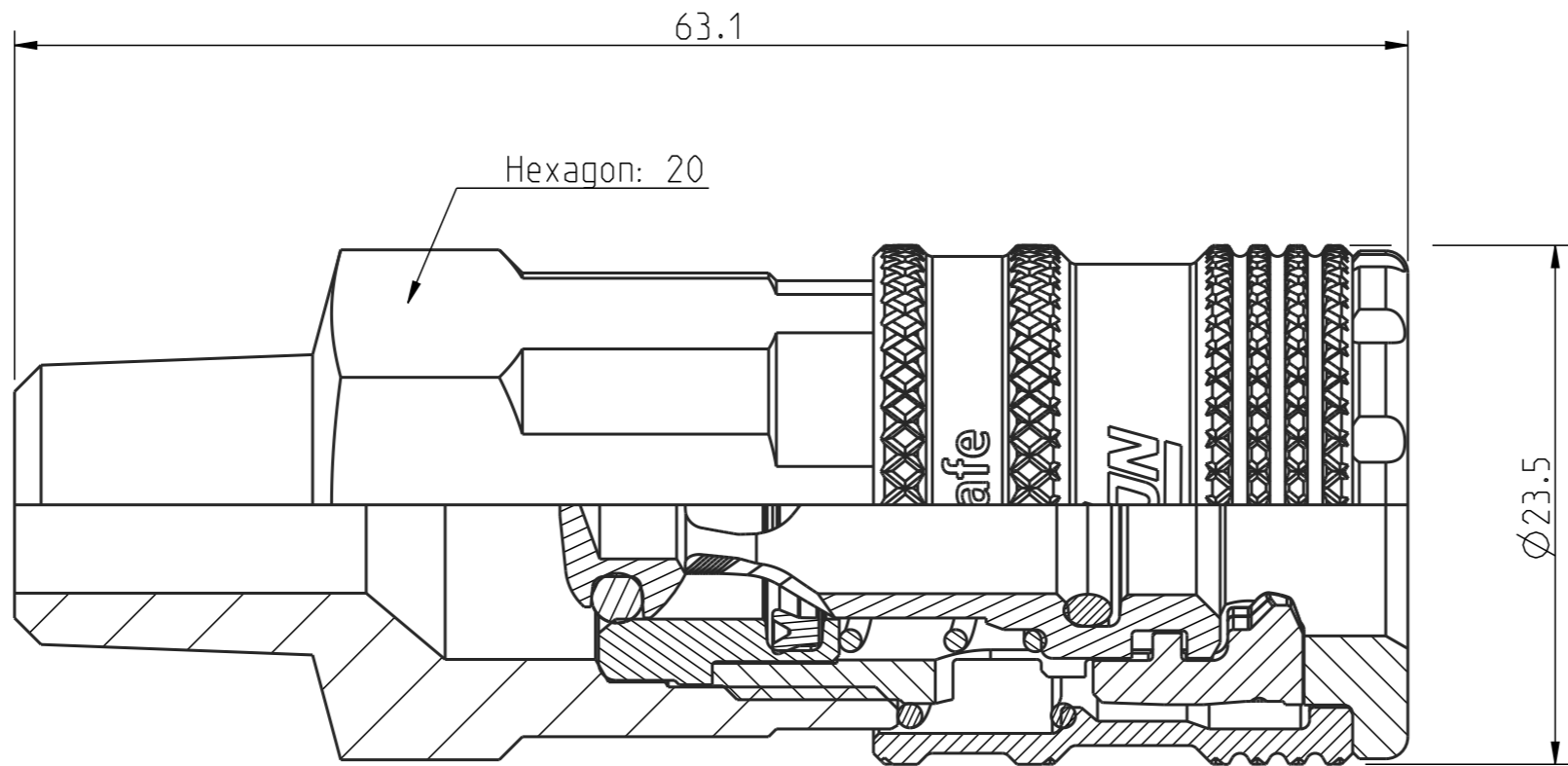
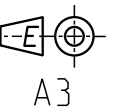
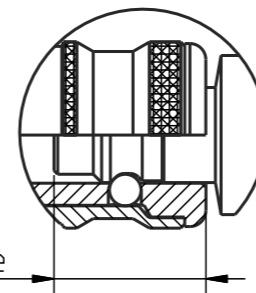


Alla rättigheter förbehålls.  
 All rights reserved.  
 Alle Rechte vorbehalten.

Denna handling får ej utan vårt medgivande delges annan, kopieras eller eljest obehörigen användas.  
 Överlåtelse härvid beivras med stöd av gällande lag.  
 This document must not be copied, either completely or in part, without permission.  
 Any infringement will have legal consequences.



1:1



Connection stroke

Product no: 10\_310\_2152

DN: 5,3 mm  
 Connection stroke: 19,5 mm  
 Max WP connected: 16 bar  
 Min BP connected: 140 bar  
 Temperature range: +100 °C - -20 °C  
 Connection: R 1/4" Male  
 Sealing material: NBR

11	1	Valve seat	Brass
10	1	Valve	Brass
9	1	Spring	Stainless steel
8	1	Spring	Stainless steel
7	1	O-ring	NBR
6	1	O-ring	NBR
5	1	Locking sleeve	Hard. steel, Zn 8 Silver
4	1	Lip seal	NBR
3	2	Hook	Hard. Steel, Zn-Ni 8 transp.
2	1	Front part	Hard. Steel, Zn 8 Silver
1	1	Back part	Steel, Zn 8 silver
Detalj Item	Antal Quant.	Benämning Description	Material Material



Skala Scale	3:1	Ritad Drawn	CABLHE	Kontr. Checked	JL	Godk. Appr.	OG	Äm nr. Alt. no.	-	Dat. Date	140124	
Assembly drawing							Ritning nr./Drawing No.		50_310_2152		Utg./Issue	AA