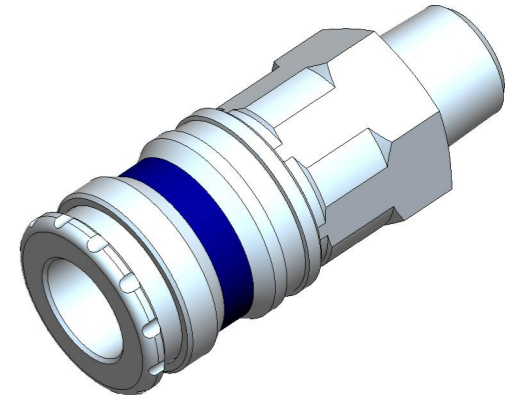
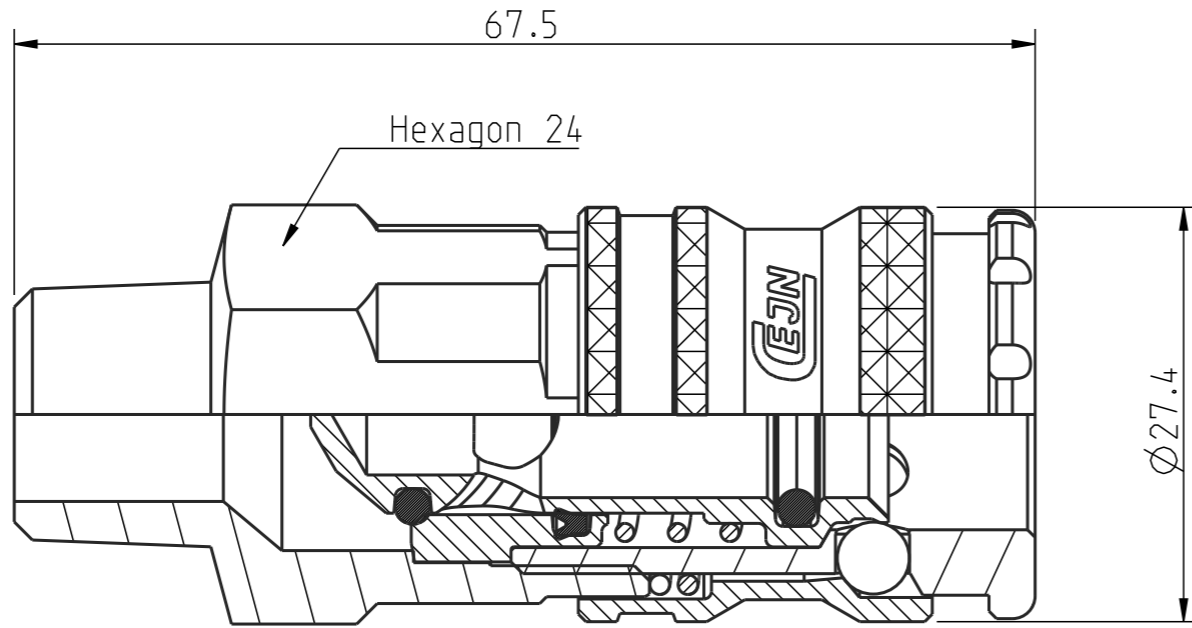
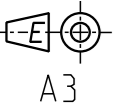
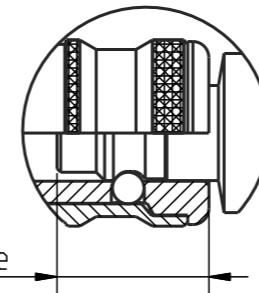


Diese Zeichnung darf weder ganz noch teilweise ohne unsere ausdrückliche Genehmigung kopiert oder auf andere Weise vervielfältigt werden. Alle Rechte vorbehalten.

Denna handling får ej utan vårt medgivande delges annan, kopieras eller eljest obehörigen användas. Överlåtelse härvid beivras med stöd av gällande lag. This document must not be copied, either completely or in part, without permission. Any infringement will have legal consequences.



1:1



Connection stroke

Product no: 10_430_1454

DN: 8,2 mm
 Connection stroke: 23,6 mm
 Max WP connected: 16 bar
 Min BP connected: 140 bar
 Temperature range: +100 °C - -20 °C
 Connection: 3/8" NPT Male
 Sealing material: NBR

11	1	O-ring	NBR
10	1	Valve	Brass
9	1	Locking sleeve	Steel
8	1	Front part	Steel, Zn 8 Silver
7	1	Valve seat	Brass
6	1	Lip seal	NBR
5	1	Spring	Stainless steel
4	1	Spring	Stainless steel
3	1	O-ring	NBR
2	1	Back part	Steel, Zn 8 Silver
1	6	Ball	Stainless steel
Detalj Item	Antal Quant.	Benämning Description	Material Material



Skala Scale	2:1	Ritad Drawn	CABLHE	Kontr. Checked	-	Godk. Appr.	-	Äm nr. Alt. no.	-	Dat. Date	14-02-13
Assembly drawing		Ritning nr./Drawing No.		50_430_1454		Utg./Issue		AA			