

## Configuration flexibility

Excellent value

Low weight

No tools required for assembly



## Technical features

### Medium:

Compressed air

### Operating pressure:

12 bar max. (Manual drain)

10 bar max. (Automatic drain)

### Element:

5 µm

### Fluid/Ambient temperature:

-20°C ... +52°C

Air supply must be dry enough to avoid ice formation at temperatures below +2°C.

### Drain:

Automatic drain operating conditions (float operated):

Bowl pressure required to close drain: > 0,35 bar

Bowl pressure required to open drain: ≤ 0,2 bar

Minimum air flow required to close drain: 0,1 m³/s (6 l/min)

Manual operation: depress pin inside drain outlet to drain bowl

### Materials:

Body: PBT

Bowl: Polycarbonate

Element: Polypropylene

Elastomers:

Bowl O-ring - Neoprene

All others - Nitrile

Internal parts: Acetal

## Technical data, standard model

Symbol	Port size	Connector	Flow (dm³/s) *	Element (µm)	Drain	Weight (kg)	Model
	G 1/4	With mounting bracket	23 (1380 l/min)	5	Manual	0,19	F92G-2GN-QT1
	G 1/4	With mounting bracket	23 (1380 l/min)	5	Automatic	0,19	F92G-2GN-AT1

\* Flow with 6,3 bar inlet pressure and a 0,5 bar drop from set.

## Options selector

F92G-★N-★T1

### Connector with mounting bracket

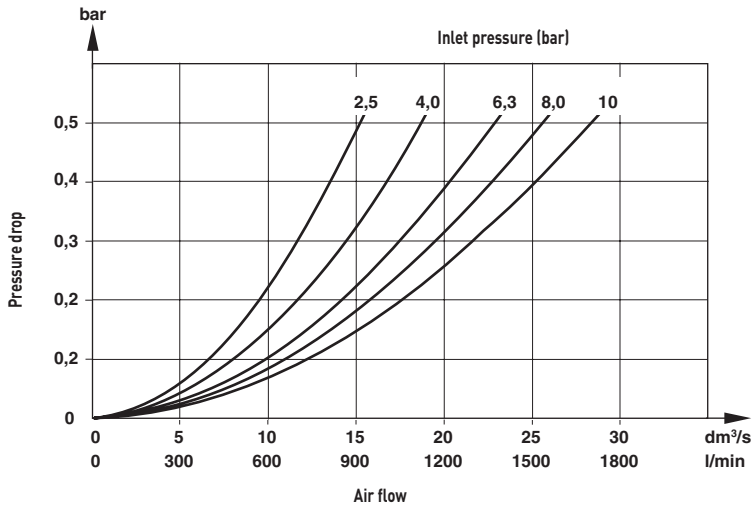
Connector with mounting bracket	Substitute
6 mm Push-in fitting	6D
8 mm Push-in fitting	8D
10 mm Push-in fitting	AD
12 mm Push-in fitting	BD
G 1/8	1G
G 1/4	2G
G 3/8	3G
Connector without mounting bracket	Substitute
G 1/4	2V
Connector	Substitute
Without	NN

### Drain

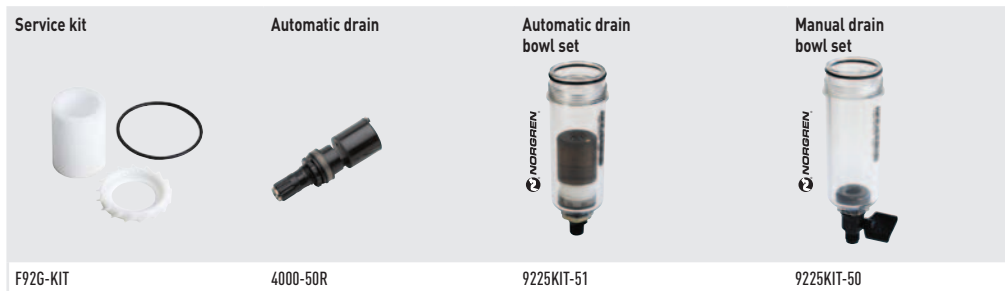
Drain	Substitute
Manual	Q
Automatic	A

**Flow characteristics**

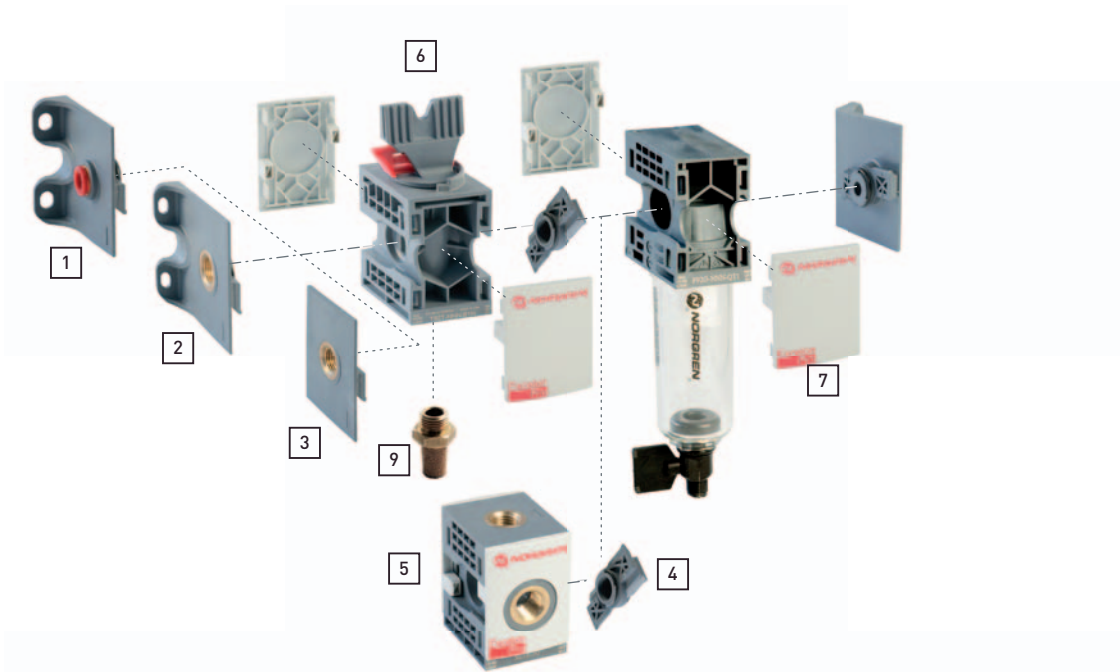
1/4" ports, 5 µm filter element

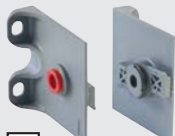
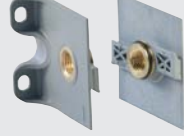








**Service kit**



**Component parts and accessories**



	Push-in fitting connector with mounting bracket	Threaded connector with mounting bracket	Threaded connector without mounting bracket		
					
Port size	<b>1</b>	<b>2</b>	<b>3</b>		
G1/8	-	9212KIT-1G	-		
G1/4	-	9212KIT-2G	9211KIT-2V		
G3/8	-	9212KIT-3G	-		
ø 6 mm	9213KIT-6D	-	-		
ø 8 mm	9213KIT-8D	-	-		
ø 10 mm	9213KIT-AD	-	-		
ø 12 mm	9213KIT-BD	-	-		
Quick connector	Porting block Plugs not included	Lockout/shut-off valve with exhaust port	Locking plate	Silencer	
					
<b>4</b>	<b>5</b>	<b>6</b>	<b>7</b>	<b>9</b>	
9210-50	9216-51	T92T-NNN-B1N	9236-88/X10 *1)	T40M0500	

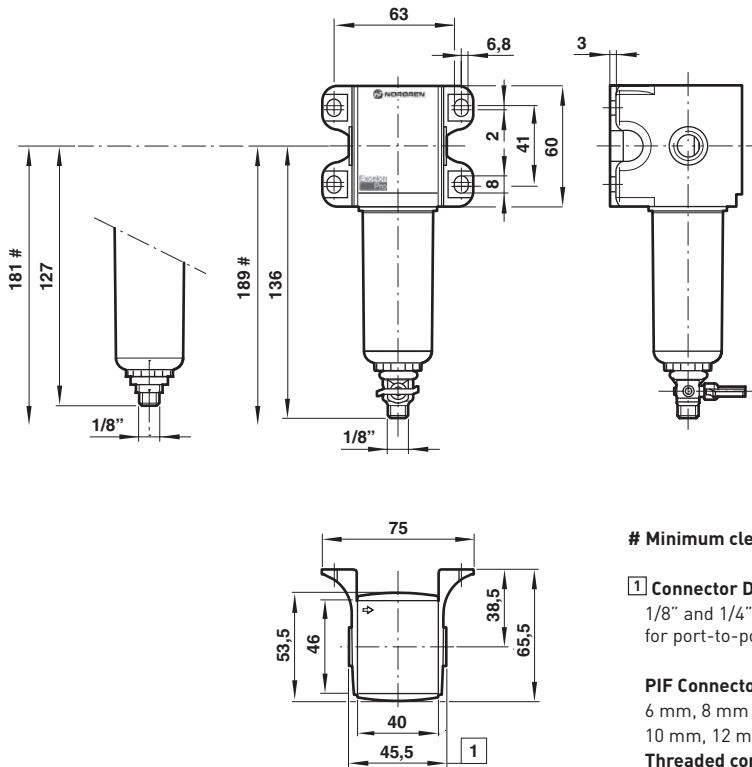
\*1) 10 pieces



**Warning**

Locking plates **MUST** be in place before pressurizing any Excelon Pro unit.

Filter with wall mounting bracket



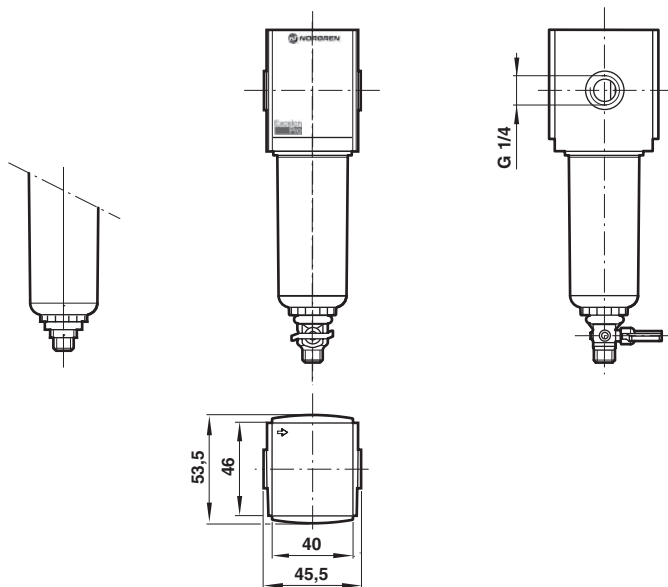
# Minimum clearance required to remove bowl

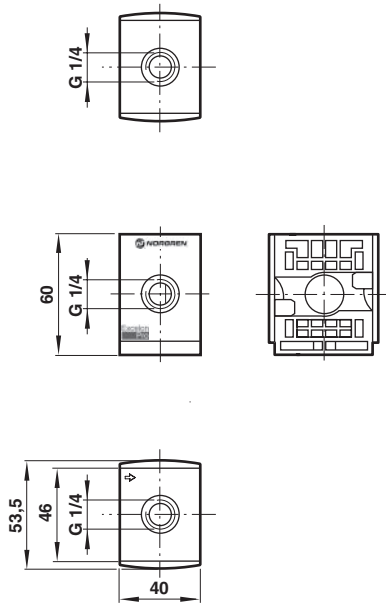
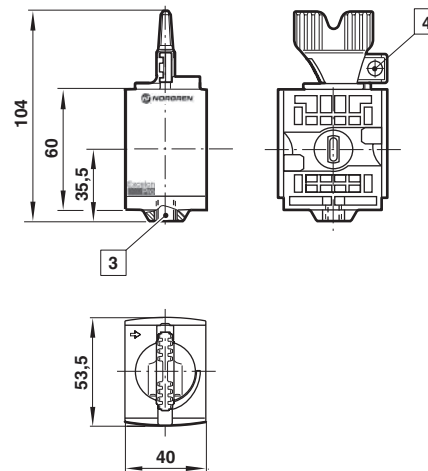
1 Connector Dimensions

1/8" and 1/4" threaded connectors shown. See below for port-to-port dimensions for additional connectors.

PIF Connector	Port-to-port
6 mm, 8 mm	60
10 mm, 12 mm	62
Threaded connector	
G1/8, G1/4	45,5
G3/8	76

Filter without mounting bracket, G 1/4 port size



**Porting block**

**Lockable/shut off valve**


- 3 M5 exhaust port
- 4 Lever lockable only in closed position.  
Lock slide accepts  $\varnothing$  7 mm padlock/shackle.

**Warning**

These products are intended for use in industrial compressed air systems only. Do not use these products where pressures and temperatures can exceed those listed under **»Technical features«**.

Before using these products with fluids other than those specified, for non-industrial applications, life-support systems, or other applications not within published specifications, consult NORGREN.

Through misuse, age, or malfunction, components used in fluid power systems can fail in various modes.

The system designer is warned to consider the failure modes of all component parts used in pneumatic systems and to provide adequate safeguards to prevent personal injury or damage to equipment in the event of such failure.

System designers must provide a warning to end users in the system instructional manual if protection against a failure mode cannot be adequately provided.

System designers and end users are cautioned to review specific warnings found in instruction sheets packed and shipped with these products.