

**EXCELON® 74
Pressure Relief Valve
3/8", 1/2", 3/4" Port Sizes**

- EXCELON design allows in-line or modular installation
- Push to lock adjusting knob with tamper resistant accessory
- Easily disassembled for servicing without removal from air line
- Helps protect air operated equipment from over pressure by retarding excessive pressure build up
- Modular installations with EXCELON 72, 73, and 74 series can be made to suit particular applications

**Technical Data**

Fluid: Compressed air

Operating temperature*: -20° to 80°C (0° to 175°F)

* Air supply must be dry enough to avoid ice formation at temperatures below +2°C (+35°F).

Gauge ports:

1/4 PTF with PTF main ports

Rc1/4 with ISO Rc main ports

Rc1/8 with ISO G main ports

Materials:

Body: Aluminum

Bonnet: Aluminum

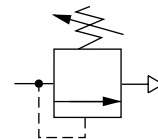
Valve: Aluminum and Nitrile

Elastomers: Nitrile

Bottom plug: Acetal

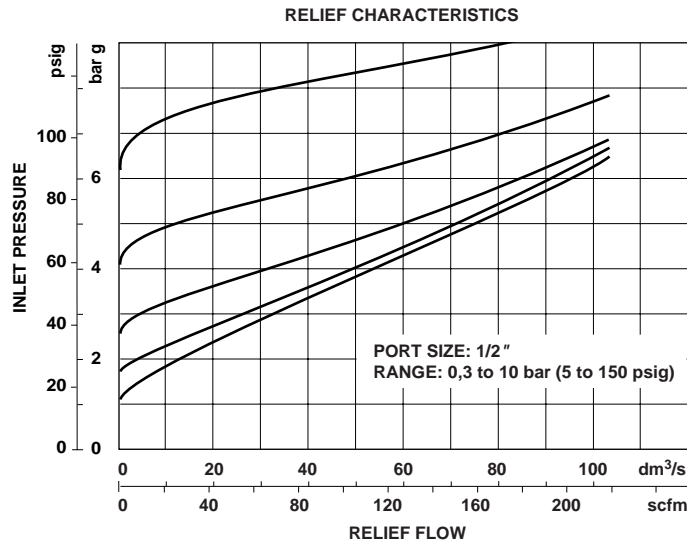
Ordering Information

See *Ordering Information* on the following pages.

ISO Symbol



Typical Performance Characteristics



Ordering Information. Models listed include ISO G parallel threads, knob adjustment, and a 0,3 to 10 bar (5 to 150 psig) relief pressure adjustment range*.

Port Size	Model	Weight kg (lb)
G3/8	V74G-3GK-NMN	0,69 (1.53)
G1/2	V74G-4GK-NMN	0,68 (1.50)
G3/4	V74G-6GK-NMN	0,67 (1.47)

Alternative Models

V74G - ★★★ - N★★

Port Size	Substitute
3/8"	3
1/2"	4
3/4"	6

Threads	Substitute
PTF	A
ISO Rc taper	B
ISO G parallel	G

Adjustment	Substitute
Knob	K
T-bar	T

Gauge	Substitute
With	G
Without	N

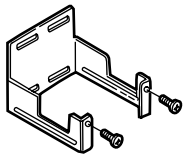
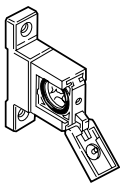

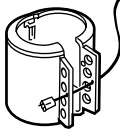
Relief Pressure Adjustment Range*	Substitute
0,3 to 4 bar (5 to 60 psig)	F
0,3 to 10 bar (5 to 150 psig)	M
0,7 to 17 bar (10 to 250 psig)**	S


* Relief valve can be adjusted to pressures in excess of, and less than, those specified. Do not use these units to control pressures outside of the specified ranges.

** Units with 17 bar (250 psig) relief pressure range are available only with the T-bar adjustment; therefore substitute **T** at the 7th position and **S** at the 9th position.



Accessories

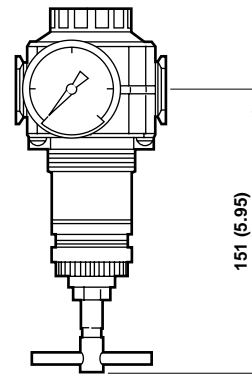
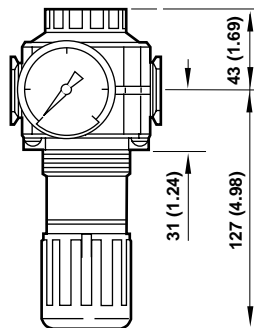
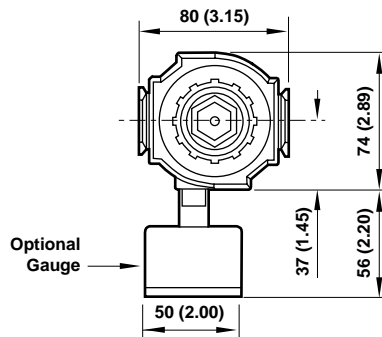
			
Wall Mounting Bracket	Quikclamp and Quikclamp Wall Bracket	Panel Nut	Tamper Resistant Cover & Seal Wire
4324-50	4314-52	4348-89	4355-51
			Seal Wire: 2117-01

			
Ø 50 mm	R1/4	R1/8	1/4 PTF
Pressure Gauge	Connection	Connection	Connection
4 bar (60 psig)	18-013-266	18-013-011	18-013-208
10 bar (150 psig)	18-013-260	18-013-013	18-013-209
20 bar (300 psig)	18-013-267	18-013-014	18-013-210

Dimensions mm (inches)

Panel mounting hole diameter: 52 mm (2.06")

Panel thickness: 2 to 6 mm (0.06" to 0.25")

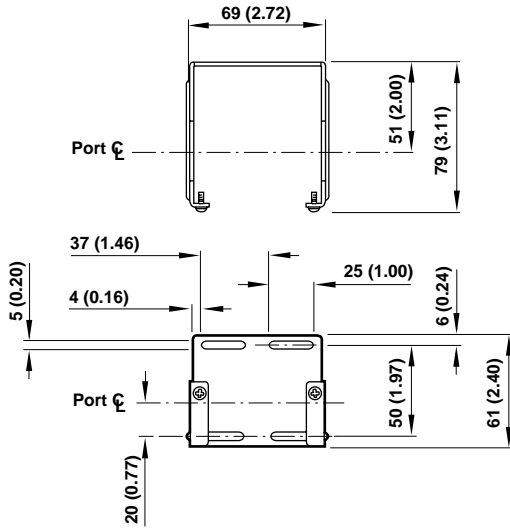




Bracket Mounting

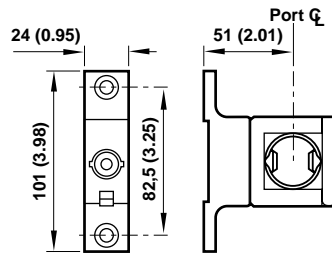
Mounting Bracket

Use 5 mm (3/16") screws to mount bracket to wall.



Quikclamp and Quikclamp Wall Bracket

Use 6 mm (7/32") screws to mount bracket to wall.



Bracket Kit Reference

Item	Part Number
Wall Bracket	4324-50
Quikclamp and Quikclamp Wall Bracket	4314-52

Service Kits

Item	Type	Part Number
Service kit	Diaphragm & Seal	4384-700

Service kit includes diaphragm, bottom plug o-ring.

Warning

These products are intended for use in industrial compressed air systems only. Do not use these products where pressures and temperatures can exceed those listed under 'Technical Data'.

Before using these products with fluids other than those specified, for non-industrial applications, life-support systems, or other applications not within published specifications, consult Norgren.

Through misuse, age, or malfunction, components used in fluid power systems can fail in various modes. The system designer is warned to consider the failure modes of all component parts used in fluid power systems and to provide adequate safeguards to prevent personal injury or damage to equipment in the event of such failure.

System designers must provide a warning to end users in the system instructional manual if protection against a failure mode cannot be adequately provided.

System designers and end users are cautioned to review specific warnings found in instruction sheets packed and shipped with these products.