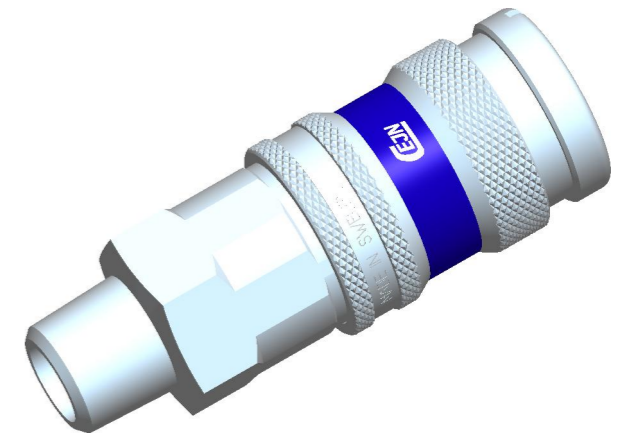
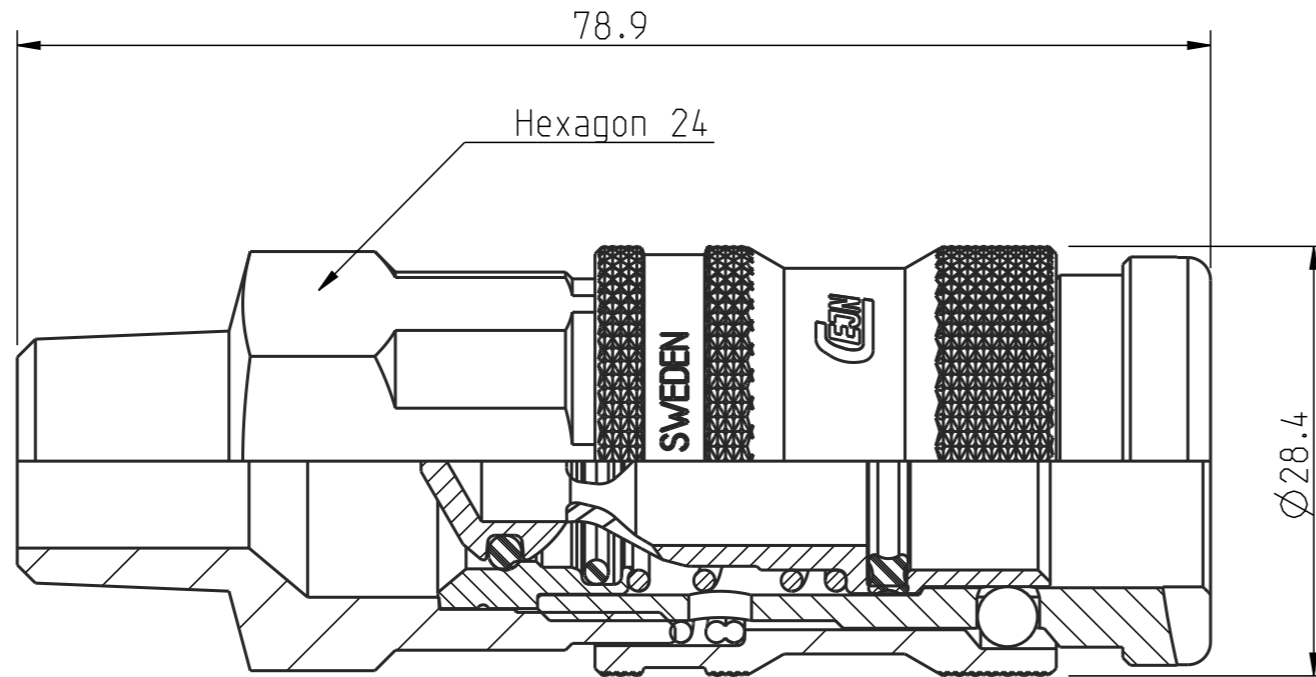
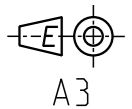
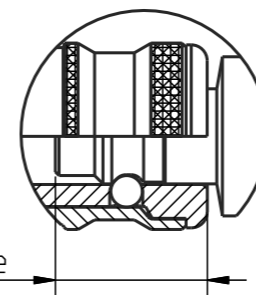


Alla rättigheter förbehålls.
 All rights reserved.
 Alle Rechte vorbehalten.

Denna handling får ej utan vårt medgivande delges annan, kopieras eller eljest obehörigen användas.
 Överlåtelse härvid beivras med stöd av gällande lag.
 This document must not be copied, either completely or in part, without permission.
 Any infringement will have legal consequences.



1:1



Connection stroke

Product no: 10_550_1154

DN: 11 mm
 Connection stroke: 28,8 mm
 Max WP connected: 16 bar
 Min BP connected: 140 bar
 Temperature range: +100 °C - -20 °C
 Connection: R 3/8" Male
 Sealing material: NBR

11	1	Valve seat	Brass
10	1	Valve	Brass
9	1	Spring	Stainless steel
8	1	Spring	Stainless steel
7	1	QUAD-Ring	NBR
6	1	O-ring	NBR
5	1	O-ring	NBR
4	1	Locking sleeve	Hard. steel, Zn 8 Silver
3	1	Front part	Steel, FeZn 8 P1
2	6	Ball	Stainless steel
1	1	Back part	Steel, Zn 8 Silver
Detalj Item	Antal Quant.	Benämning Description	Material Material



Skala Scale	2:1	Ritad Drawn	CABLHE	Kontr. Checked	-	Godk. Appr.	-	Äm nr. Alt. no.	-	Dat. Date	12-06-01
Assembly drawing		Ritning nr./Drawing No.		50_550_1154		Utg./Issue		AA			