

**Olympian Plus  
Relief Valve  
1/4", 3/8", 1/2", 3/4" Port Sizes**

- **Olympian Plus plug in design**
- **Protect compressed air systems from over pressurisation**
- **High relief capacity**
- **Threaded relief port for silencer or piped exhaust**


**Technical Data**

Fluid: Compressed air

Operating temperature\*: -20° to +80°C (0° to +175°F)

\* Air supply must be dry enough to avoid ice formation at temperatures below +2°C (+35°F).

Gauge ports:

1/8" PTF with PTF main ports

1/8" ISO Rc with ISO Rc main ports

1/8" ISO Rc with ISO G main ports

Exhaust port: G1/2

Materials:

Body: Zinc

Bonnet: Zinc

Bottom plug: Aluminium alloy

Yoke: Zinc

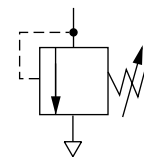
Adjusting screw: Steel

Valve: Brass

Elastomers: Synthetic rubber

**Ordering Information**

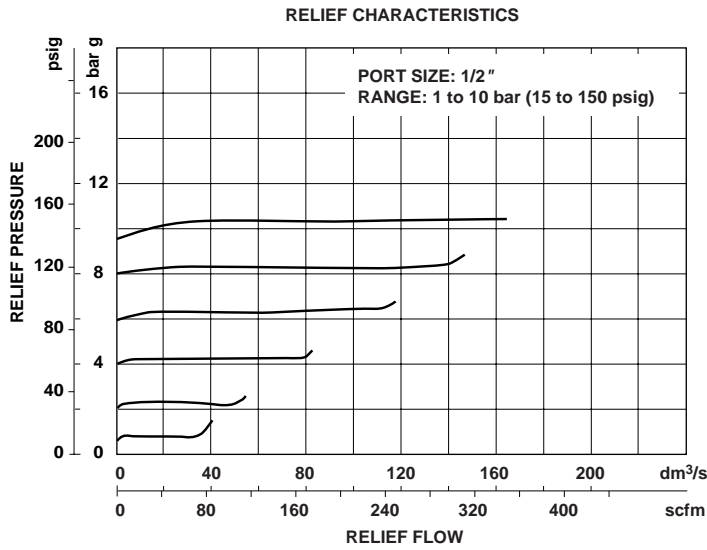
See *Ordering Information* on the following pages.

**ISO Symbols**


Relieving



### Typical Performance Characteristics



**Ordering Information.** Models listed include, ISO G threads, 0,3 to 10 bar (5 to 150 psig) operating pressure range\* without gauge.

Port Size	Model	Weight kg (lb)
G1/4	V64H-2GD-RMN	1,68 (3.73)
G3/8	V64H-3GD-RMN	1,66 (3.69)
G1/2	V64H-4GD-RMN	1,63 (3.62)
G3/4	V64H-6GD-RMN	1,99 (4.42)

For replacement relief valve (without yoke) substitute 'N' at the 5th and 6th digits eg: V64H-NND-RMN.

### Alternative Models

V 6 4 H - ★ ★ ★ - N ★ ★

Port Size	Substitute
1/4"	2
3/8"	3
1/2"	4
3/4"	6

Threads	Substitute
PTF	A
ISO Rc taper	B
ISO G parallel	G

Gauge	Substitute
With	G
Without	N

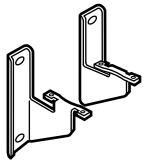
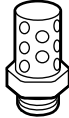

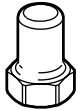
Outlet Pressure Adjustment Range*	Substitute
0,3 to 4 bar (5 to 60 psig)	F
1 to 10 bar (15 to 150 psig)	M
0,7 to 17 bar (10 to 250 psig)	S

Adjustment	Substitute
Slotted screw	D

\* Relief valve can be adjusted to pressures in excess of, and less than, those specified. Do not use these units to control pressures outside of the specified ranges.



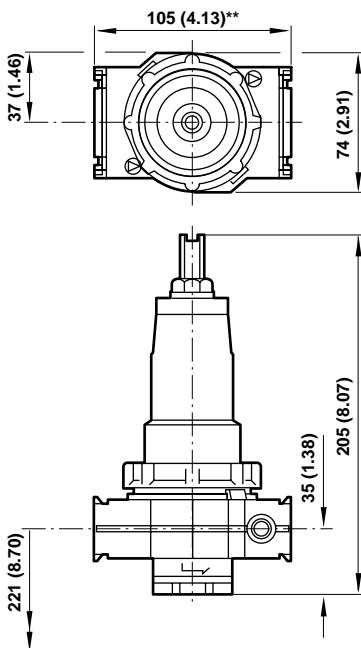
### Accessories

			
Wall Mounting Bracket	Silencer	Ø 50 mm Pressure Gauge	R1/8 Connection    1/8 PTF Connection
74504-50	MB004B (R1/2)	4 bar (60 psig):	18-013-012    18-013-202
		10 bar (150 psig):	18-013-013    18-013-204
		25 bar (360 psig):	18-013-014    18-013-206
			Tamper Resistant Cap
			1581-90

### Dimensions mm (inches)

Panel mounting hole diameter: 52 mm (2.06")

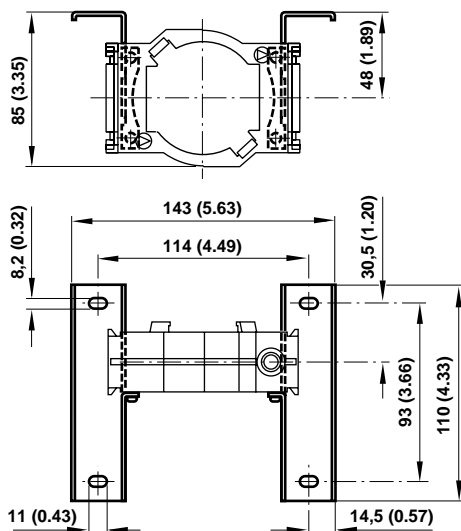
Panel thickness: 0 to 4 mm (0" to 0.16")



\*\* 157 mm (6.18") for G3/4 models

### Bracket Mounting

Use 8 mm (5/16") screws to mount bracket to wall.



### Bracket Kit Reference

Item	Part Number
Wall bracket	74504-50



### Service Kits

Item	Type	Part Number
Service kit	All models	4384-200
Gasket kit	All models	V13-GK

Service kit includes port and bottom plug o-rings, gasket, slip ring, valve assembly, valve spring, diaphragm, diaphragm stop and pilot valve assembly.

### Warning

These products are intended for use in industrial compressed air systems only. Do not use these products where pressures and temperatures can exceed those listed under 'Technical Data'.

Before using these products with fluids other than those specified, for non-industrial applications, life-support systems, or other applications not within published specifications, consult NORGREN.

Through misuse, age, or malfunction, components used in fluid power systems can fail in various modes. The system designer is warned to consider the failure modes of all component parts used in fluid power systems and to provide adequate safeguards to prevent personal injury or damage to equipment in the event of such failure.

**System designers must provide a warning to end users in the system instructional manual if protection against a failure mode cannot be adequately provided.**

System designers and end users are cautioned to review specific warnings found in instruction sheets packed and shipped with these products.

Water vapor will pass through these units and will condense into liquid if air temperature drops in the downstream system. Install an air dryer if water condensation could have a detrimental effect on the application.