

**EXCELON® 74**  
**Oil Vapour Removal Filter**  
**3/8", 1/2", 3/4" Port Sizes**

- **EXCELON design allows in-line or modular installation**
- **Adsorbing type activated carbon element removes oil vapours and most hydrocarbon odours**
- **Quick release bayonet bowl**
- **Long service life of filter element. Minimum life of 400 hours when an oil removal filter is installed upstream and the filtration temperature is in the region of 20° to 26°C (70° to 80°F).**
- **Modular installations with EXCELON 72, 73, and 74 series can be made to suit particular applications**



### Technical Data

Fluid: Compressed air

Maximum pressure: 17 bar (250 psig)

Temperature range\*: -20° to 65°C (0° to 150°F)

\* Air supply must be dry enough to avoid ice formation at temperatures below +2°C (+35°F).

Air quality: Within ISO 8573-1, Class 1 (oil content) when installed downstream of an oil removal filter

Maximum remaining oil content in outlet air: 0,003 ppm at 20°C (70°F)

Maximum flow at 6,3 bar (90 psig) inlet pressure to maintain stated oil removal performance: 13 dm<sup>3</sup>/s (27 scfm)

Nominal bowl size: 0,2 litre (7 fluid ounce)

Required prefilter: Oil removal filter with equivalent pipe size and flow capacity equal to or greater than the vapour removal filter.

Materials:

Body: Aluminum

Bowl: Aluminum

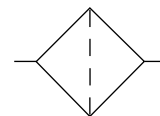
Element: Activated carbon and aluminum

Elastomers: Neoprene and Nitrile

### Ordering Information

See *Ordering Information* on the following pages.

### ISO Symbols



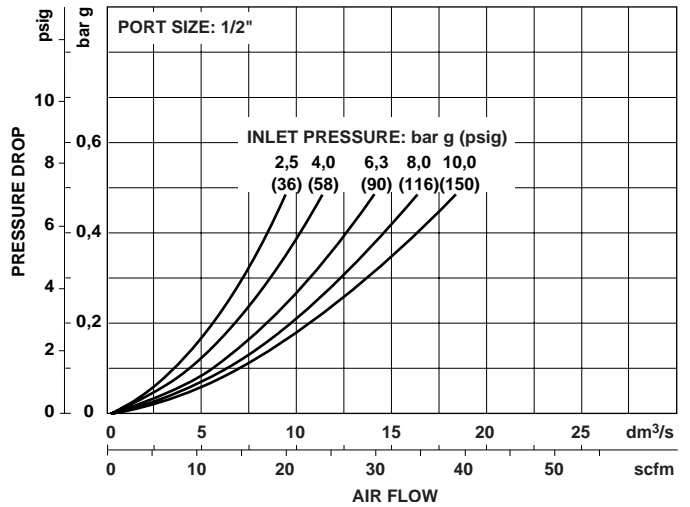
Closed Bottom



### Typical Performance Characteristics

Inlet Pressure		Maximum Flow†	
bar	(psig)	dm <sup>3</sup> /s	(scfm)
2,5	(36)	8,7	(19)
4	(58)	10,7	(23)
6,3	(90)	13,3	(28)
8	(116)	15,6	(33)
10	(150)	17,6	(38)

† Maximum flow to maintain stated oil removal performance.



**Ordering Information.** Models listed include ISO G parallel threads and a closed bottom metal bowl.

Port Size	Model	Flow* dm <sup>3</sup> /s (scfm)	Weight kg (lb)
G3/8	F74V-3GN-EMA	13 (27)	1,15 (2.54)
G1/2	F74V-4GN-EMA	13 (27)	1,14 (2.51)
G3/4	F74V-6GN-EMA	13 (27)	1,12 (2.46)

\* Maximum flow with 6,3 bar (90 psig) inlet pressure to maintain stated oil removal performance.

### Alternative Models

F 7 4 V - ★ ★ N - E M A

Port Size	Substitute
3/8"	3
1/2"	4
3/4"	6

Threads	Substitute
PTF	A
ISO Rc taper	B
ISO G parallel	G

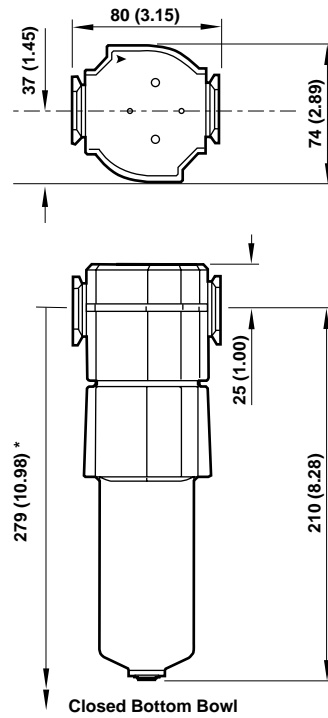
### Accessories

Wall Mounting Bracket	Quikclamp and Quikclamp Wall Bracket
4324-50	4314-52



### Dimensions mm (inches)

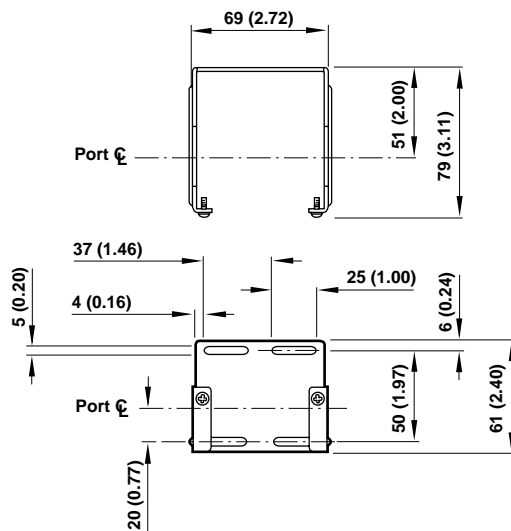
\* Minimum clearance required to remove bowl.



### Bracket Mounting

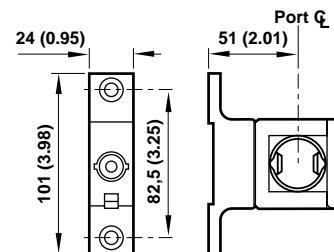
#### Mounting Bracket

Use 5 mm (3/16") screws to mount bracket to wall.



#### Quikclamp and Quikclamp Wall Bracket

Use 6 mm (7/32") screws to mount bracket to wall.



### Bracket Kit Reference

Item	Part Number
Wall Bracket	4324-50
Quikclamp and Quikclamp Wall Bracket	4314-52

### Service Kits

Item	Type	Part Number
Service kit	Seal and Gasket	4380-750
Replacement element	Adsorbing	4341-01

Service kit includes element seal and bowl seal.



## Warning

These products are intended for use in industrial compressed air systems only. Do not use these products where *pressures* and *temperatures* can exceed those listed under "Technical Data".

Before using these products with fluids other than those specified, for non-industrial applications, life-support systems, or other applications not within published specifications, consult Norgren.

Through misuse, age, or malfunction, components used in fluid power systems can fail in various modes. The system designer is warned to consider the failure modes of all component parts used in fluid power systems and to provide adequate safeguards to prevent personal injury or damage to equipment in the event of such failure.

**System designers must provide a warning to end users in the system instructional manual if protection against a failure mode cannot be adequately provided.**

System designers and end users are cautioned to review specific warnings found in instruction sheets packed and shipped with these products.

Water vapor will pass through these units and will condense into liquid if air temperature drops in the downstream system. Install an air dryer if water condensation could have a detrimental effect on the application.