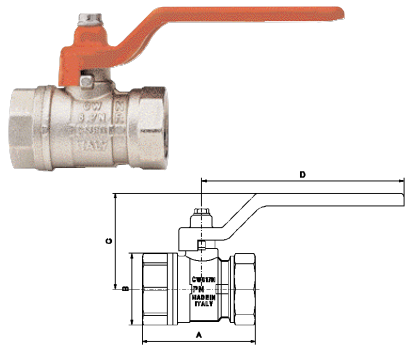


BALL VALVES AND GATE VALVES

111

ORIENT® BALL VALVE, REDUCED FLOW



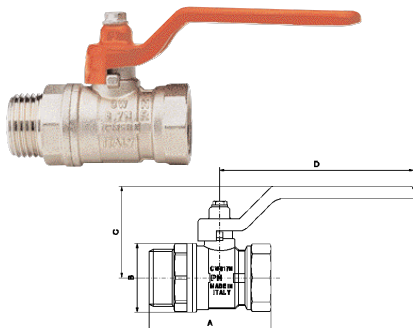
SUITABLE FOR DOMESTIC WATER SERVICES, HEATING AND AIR-CONDITIONING PLANTS, COMPRESSED AIR SYSTEMS.

SIZE	1/4"	3/8"	1/2"	3/4"	1"	1 1/4"	1 1/2"	2"	2 1/2"	3"	4"
A (mm)	44.4	44.4	48	53.5	60	72	80	97	128	148	169
B (mm)	23.5	24	27	34	40	50	59	72	96	119	138
C (mm)	37	37	38.5	48	55	59	74.5	80.5	109	126	135
D (mm)	80	80	80	88.5	113	113	137.5	137.5	197	250	250
WORKING PRESSURE Kg/cm ² Bar	50	50	50	40	40	30	30	25	18	14	12
WORKING PRESSURE PSI	710	710	710	570	570	430	430	360	260	230	200

Female/female threads
Lever handle in steel
 Body in nickel-plated brass
 Minimum and maximum working temperatures:
 -20°C, 150°C in absence of steam.
 Threads: ISO228
 (equivalent to DIN259 and BS2779)

112

ORIENT® BALL VALVE, REDUCED FLOW



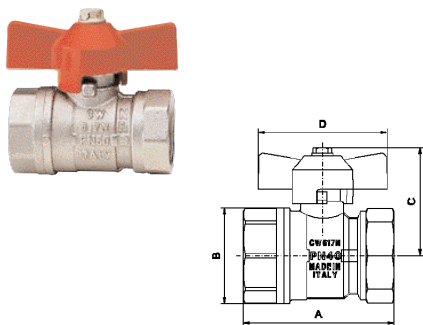
SUITABLE FOR DOMESTIC WATER SERVICES, HEATING AND AIR-CONDITIONING PLANTS, COMPRESSED AIR SYSTEMS.

SIZE	1/4"	3/8"	1/2"	3/4"	1"
A (mm)	54	54	58.5	63.5	71
B (mm)	23.5	24	27	34	40
C (mm)	37	37	38.5	48	55
D (mm)	80	80	80	88.5	113
WORKING PRESSURE Kg/cm ² Bar	50	50	50	40	40
WORKING PRESSURE PSI	710	710	710	570	570

Male/female threads
Lever handle in steel
 Body in nickel-plated brass
 Minimum and maximum working temperatures:
 -20°C, 150°C in absence of steam.
 Threads: ISO228 (equivalent to DIN259 and BS2779)

113

ORIENT® BALL VALVE, REDUCED FLOW



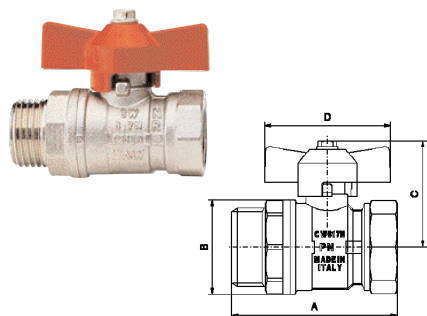
SUITABLE FOR DOMESTIC WATER SERVICES, HEATING AND AIR-CONDITIONING PLANTS, COMPRESSED AIR SYSTEMS.

SIZE	1/4"	3/8"	1/2"	3/4"	1"
A (mm)	44.4	44.4	48	53.5	60
B (mm)	23.5	24	27	34	40
C (mm)	36.5	36.5	37.5	44.5	47.5
D (mm)	47	47	47	54	54
WORKING PRESSURE Kg/cm ² Bar	50	50	50	40	40
WORKING PRESSURE PSI	710	710	710	570	570

Female/female threads
T handle in aluminium
 Body in nickel-plated brass
 Minimum and maximum working temperatures:
 -20°C, 150°C in absence of steam.
 Threads: ISO228 (equivalent to DIN259 and BS2779)

114

ORIENT® BALL VALVE, REDUCED FLOW



SUITABLE FOR DOMESTIC WATER SERVICES, HEATING AND AIR-CONDITIONING PLANTS, COMPRESSED AIR SYSTEMS.

SIZE	1/4"	3/8"	1/2"	3/4"	1"
A (mm)	54	54	58.5	63.5	71
B (mm)	23.5	24	27	34	40
C (mm)	36.5	36.5	37.5	44.5	47.5
D (mm)	47	47	47	54	54
WORKING PRESSURE Kg/cm ² Bar	50	50	50	40	40
WORKING PRESSURE PSI	710	710	710	570	570

Male/female threads
T handle in aluminium
 Body in nickel-plated brass
 Minimum and maximum working temperatures:
 -20°C, 150°C in absence of steam.
 Threads: ISO228 (equivalent to DIN259 and BS2779)



ART. 111-112-113-114