

H800 SERIES COMPACT ONE PIECE BALL VALVE

NEW!



FEATURES

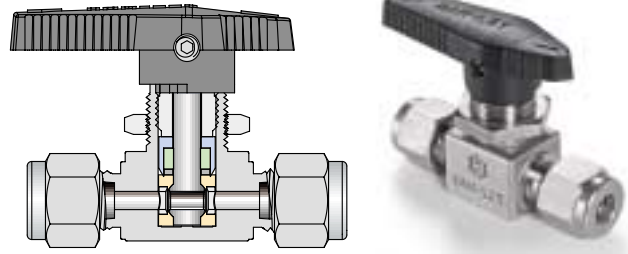
- ▶ One-piece construction
- ▶ St.ST 316 body
- ▶ Single unit Ball stem
- ▶ On/off service
- ▶ No dead volume at flow path
- ▶ Bi-directional flow
- ▶ Panel mount design
- ▶ Color coded handles
- ▶ Pressure rating: up to 3000psi (204Bar)
- ▶ Temperature rating: -65° F to 300° F (-54°C to 149°C)
- ▶ Manual and pneumatic actuation
- ▶ Imperial and metric sizes

Quality
you can trust.

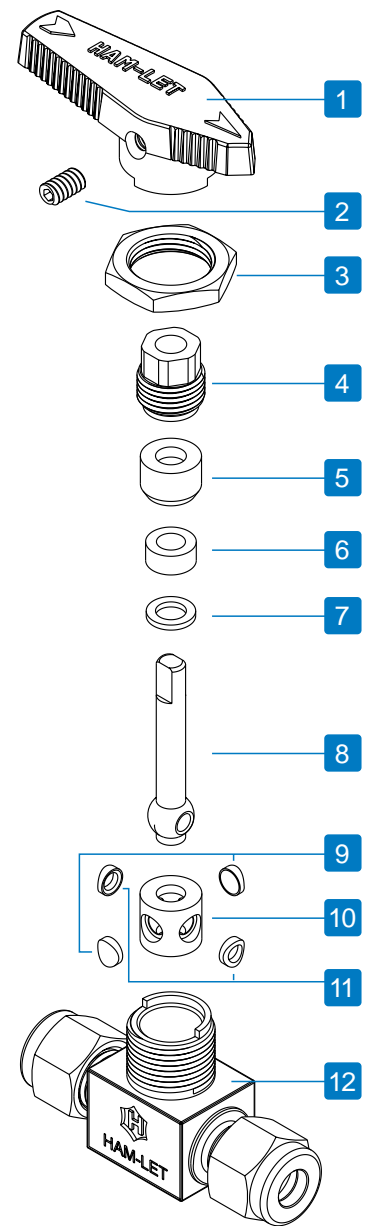
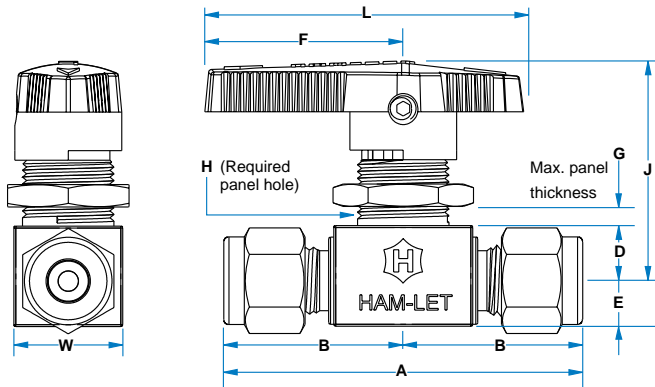


H800 SERIES

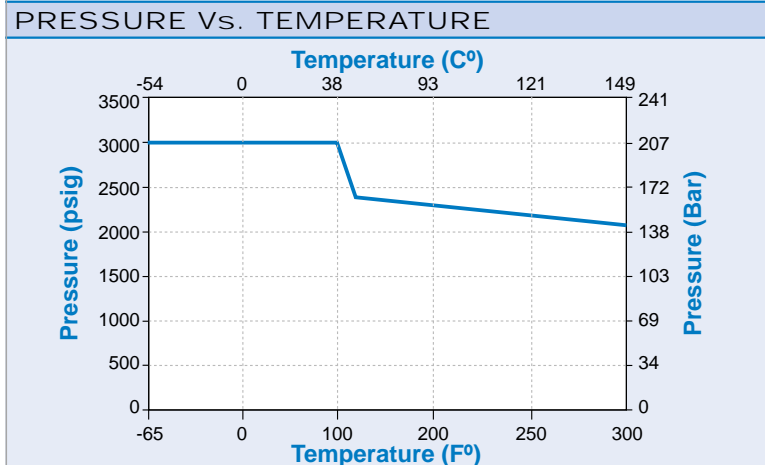
COMPACT ONE PIECE BALL VALVE



MATERIALS																									
Description	End connction		Orifice		Cv	A		B		D		E		F		G		H		J		W		L	
	Type	Size	mm	in		mm	in	mm	in	mm	in	mm	in	mm	in	mm	in	mm	in	mm	in	mm	in	mm	in
H-800-SS-L-1/8	Imperial	1/8"	2.4	0.094	0.2	51.5	2.012	25.7	1.012																
H-800-SS-L-1/4	Let-Lok	1/4"	3.2	0.126	0.6	56.1	2.209	27.9	1.098																
H-800-SS-L-3MM	Metric	3MM	2.4	0.094	0.2	51.1	2.012	25.7	1.012	8.6	0.339	7.1	0.280	31	1.220	6.4	0.252	15.1	0.594	34.5	1.358	16.85	0.663	50	1.969
H-800-SS-L-6MM	Let-Lok	6MM	3.2	0.126	0.6	56.1	2.209	27.9	1.098																
H-810-SS-N-1/4	F-NPT	1/8"	3.2	0.126	0.5	41.1	1.618	20.6	0.811																



MATERIALS			
No.	Part	Qty.	Material
1	Handle	1	Nylon + Glass Fiber
2	Set Screw	1	St.St.304
3	Panel nut	1	St.St.304
4	Packing Bolt	1	St.St.316
5	Gland	1	St.St.304
6	Stem packing	1	Virgin PTFE®
7	Washer	1	St.St.304
8	Ball stem	1	St.St.316
9	Seat disc	2	St.St.304 (PTFE® coated)
10	Seat	1	PFA
11	Seat ring	2	St.St.304 (PTFE® coated)
12	Body	1	St.St. ASTM A351 Gr. CF8M



© PTFE is trade mark of DuPont.

